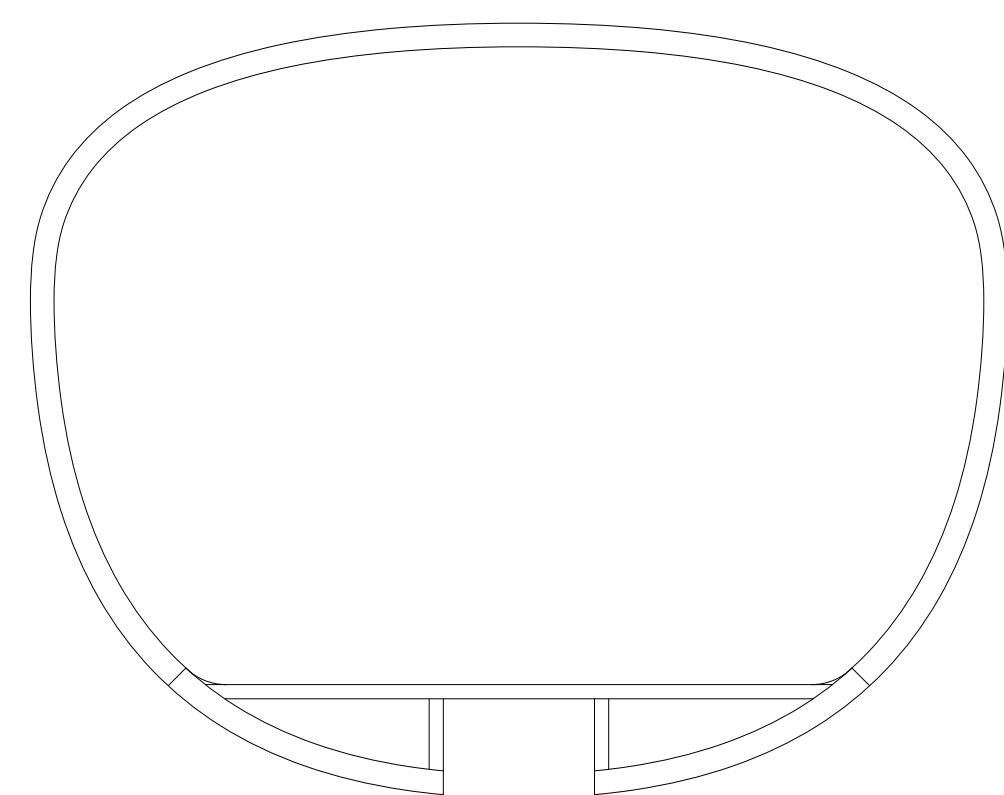
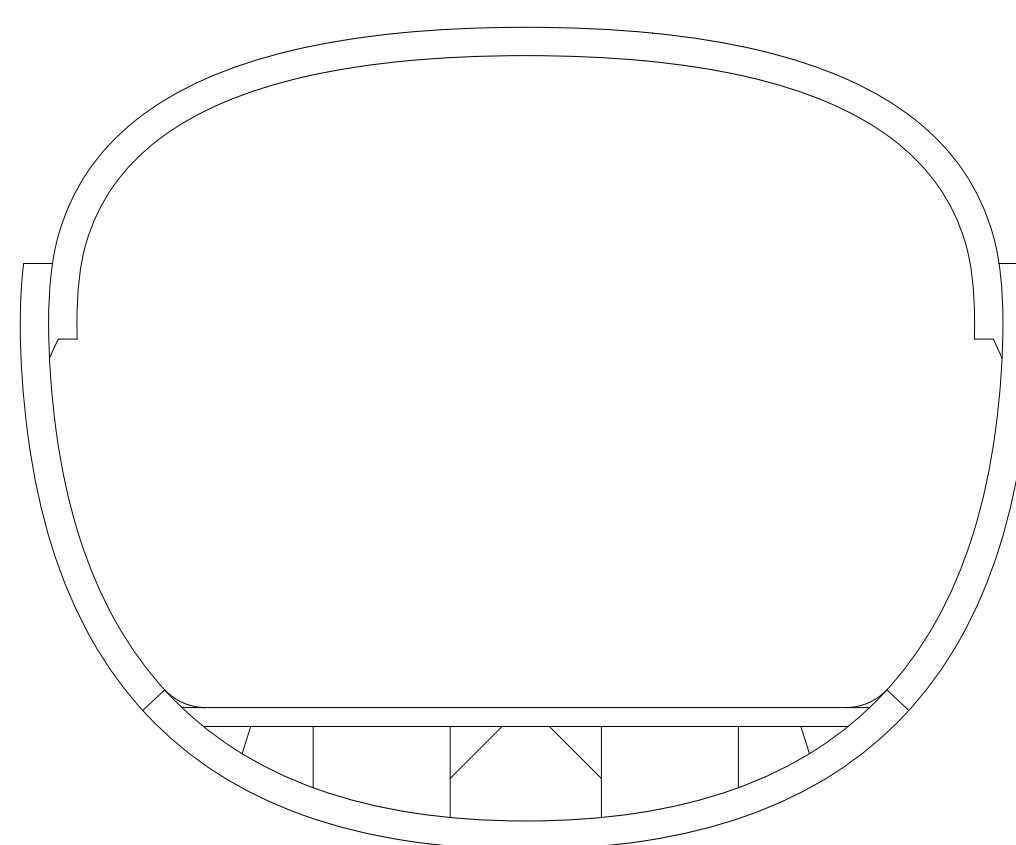


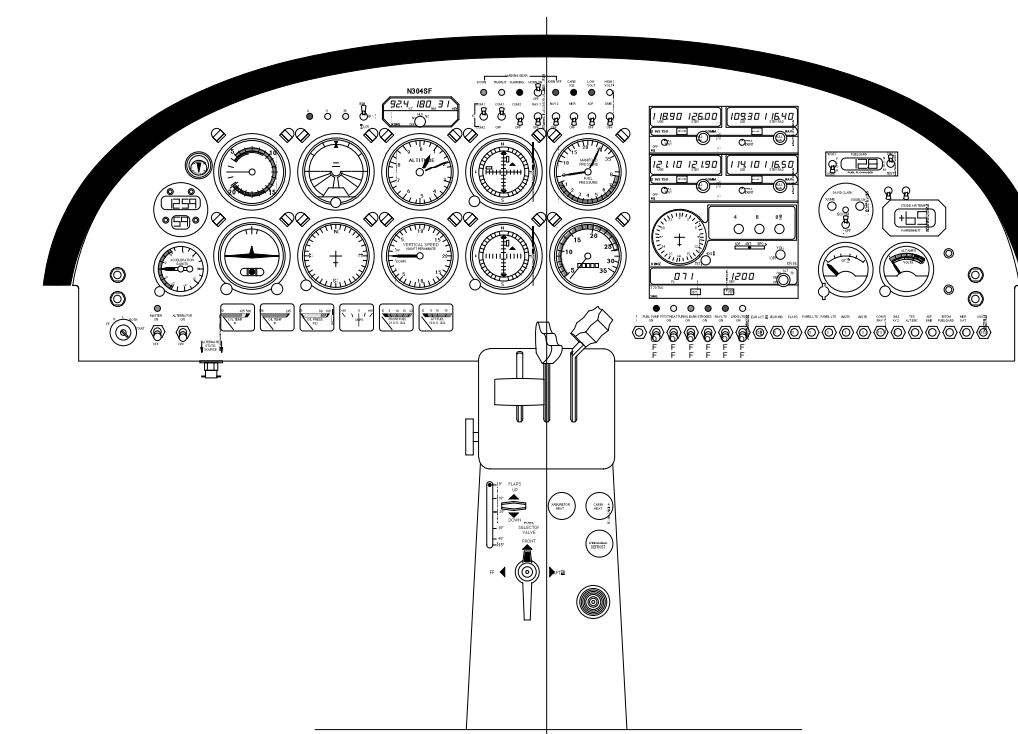
STATION 1
SCALE 1/8



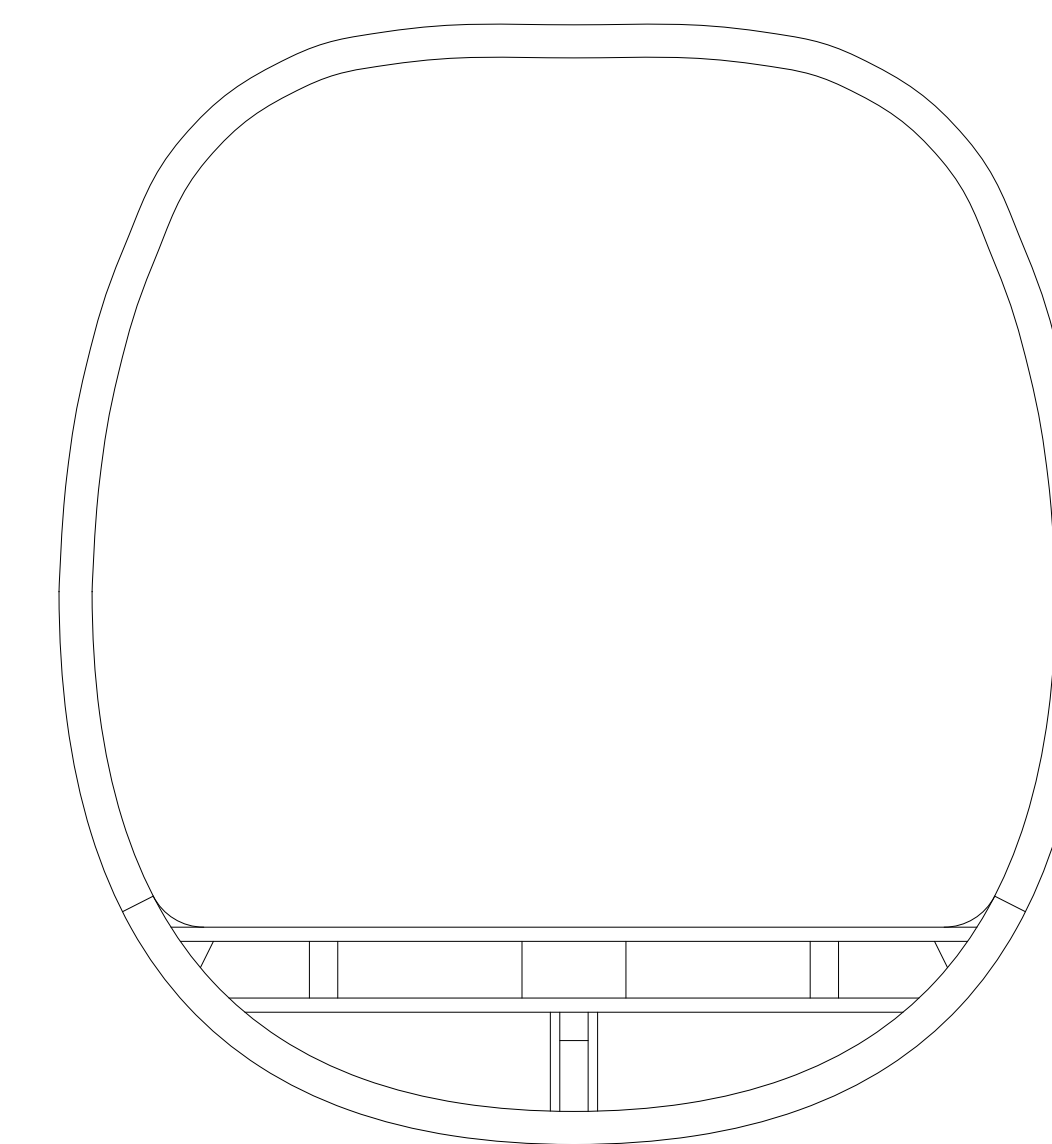
STATION 2
SCALE 1/8



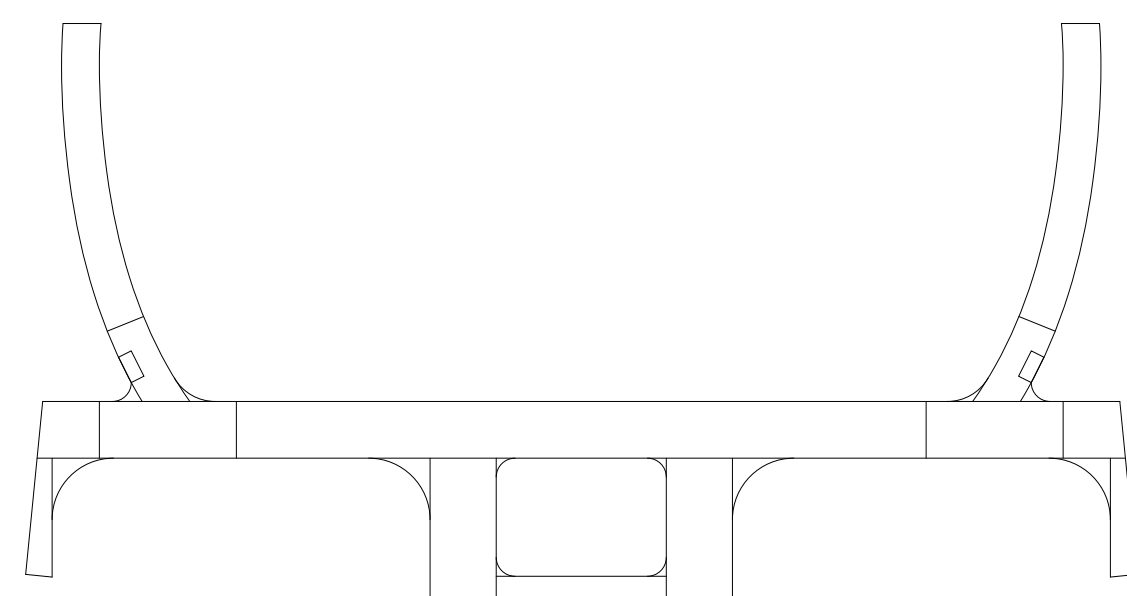
STATION 3
SCALE 1/8



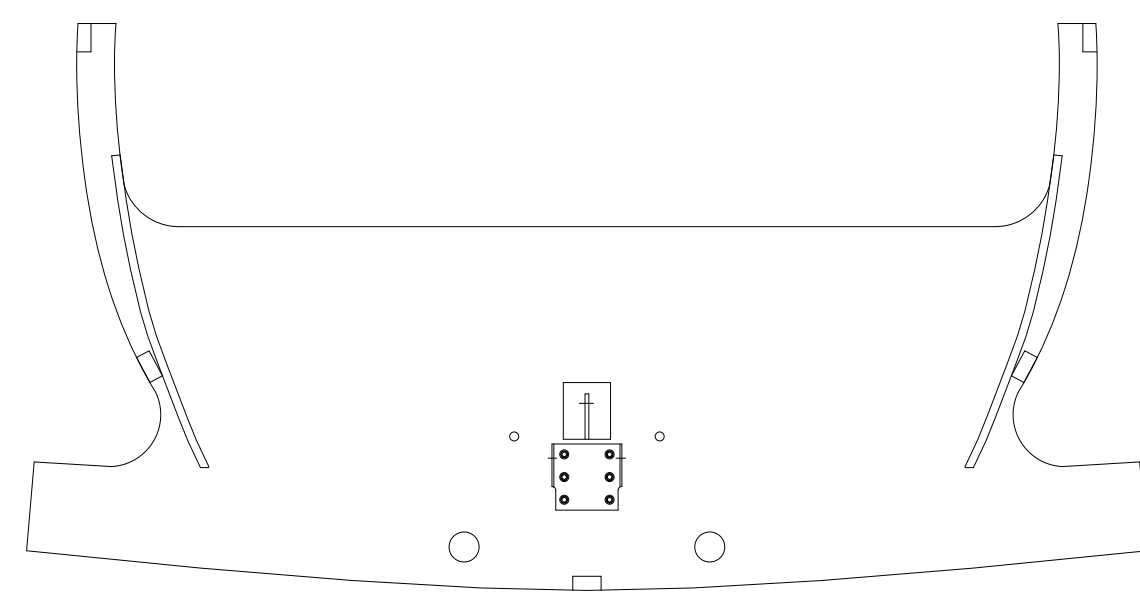
INSTRUMENT PANEL
AT STATION 3
SCALE 1/8



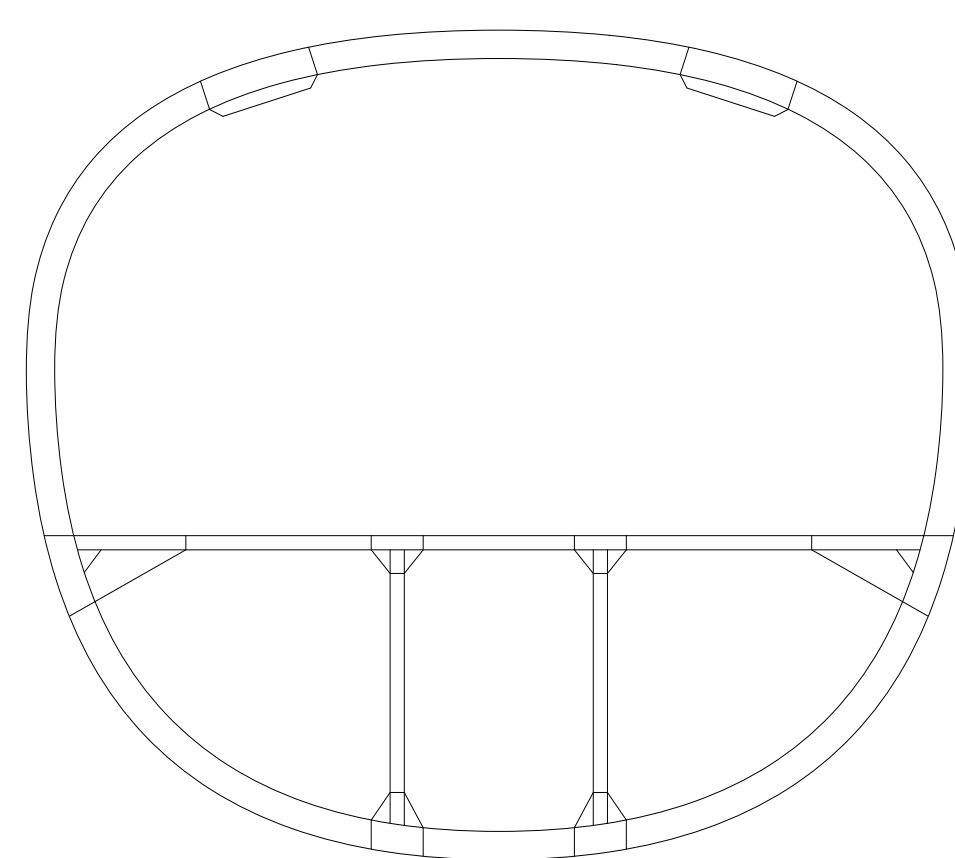
STATION 4
SCALE 1/8



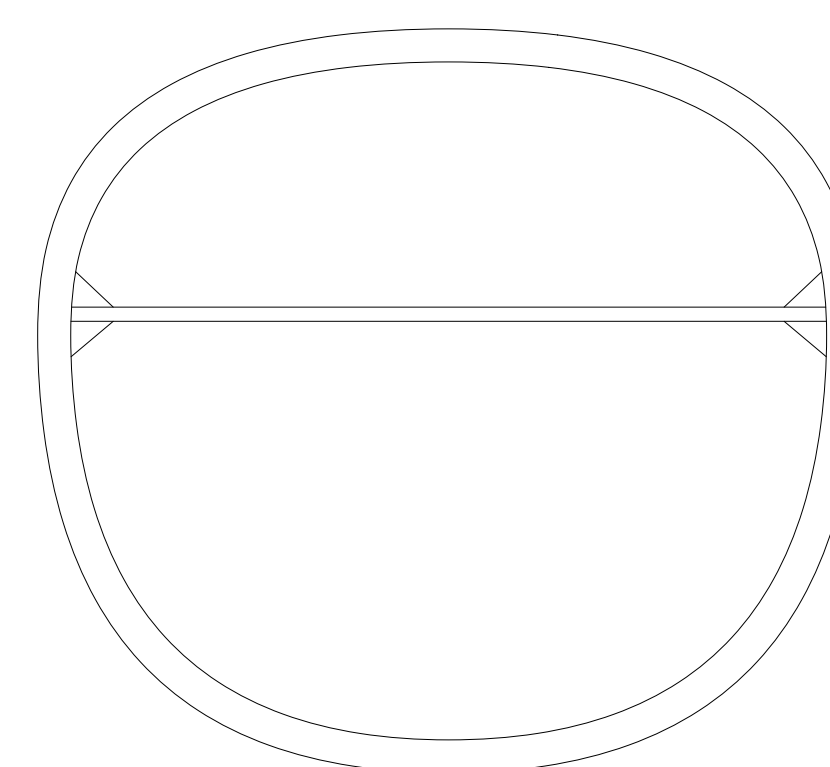
STATION 5
SCALE 1/8



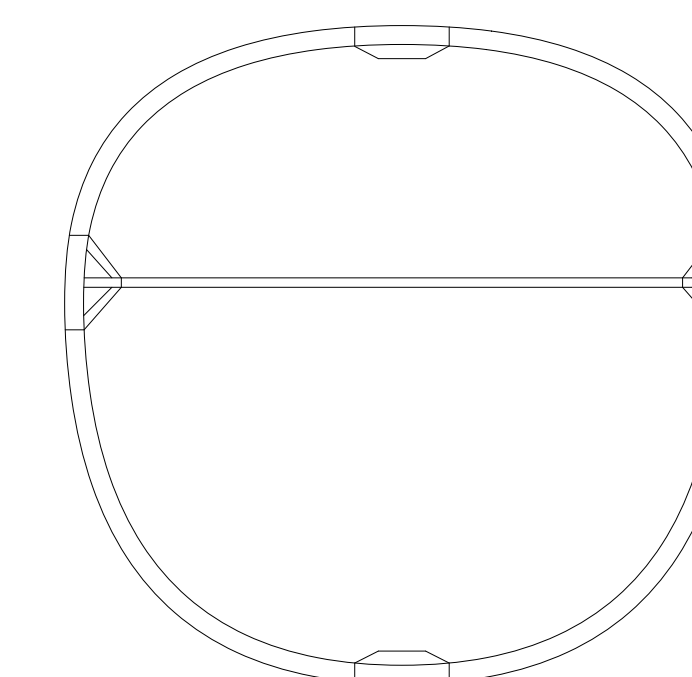
STATION 6
SCALE 1/8



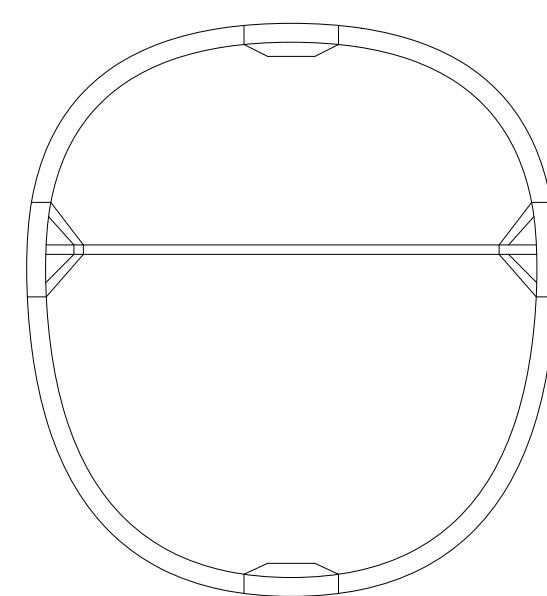
STATION 7
SCALE 1/8



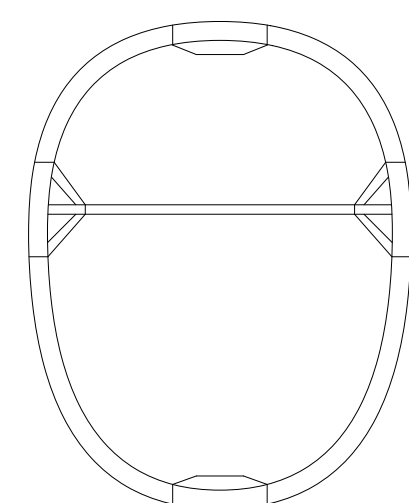
STATION 8
SCALE 1/8



STATION 9
SCALE 1/8



STATION 10
SCALE 1/8



STATION 11
SCALE 1/8

N.B. Except where noted as inches, all dimensions are millimeters.

Copyright 2004 Sequoia Aircraft Corporation.
This drawing is specifically intended for use in the amateur construction of one aircraft only. Possession of this drawing does not convey the right to manufacture for sale any article shown herein, such right to be given only by written permission of Sequoia Aircraft Corporation. This drawing may not be altered, copied or reproduced in whole or in part without written permission of Sequoia Aircraft Corporation. This drawing may not be sold without written permission of Sequoia Aircraft Corporation.

F:8L FALCO

Sequoia Aircraft Corporation
2000 Tomlynn Street
P.O. Box 6861
Richmond, Virginia 23230

Sheet

M2

Revision